

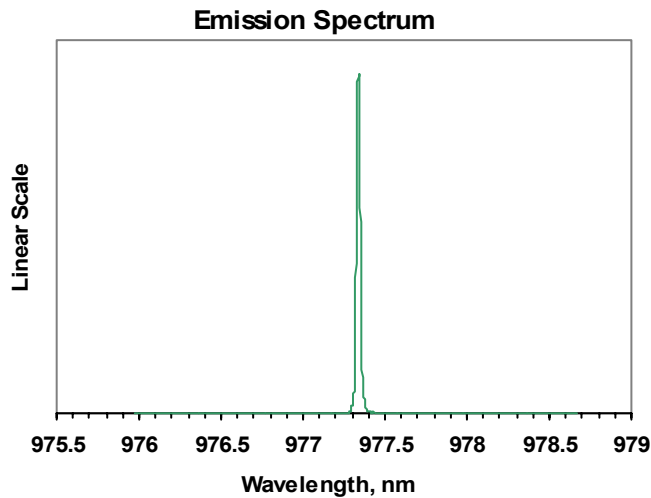
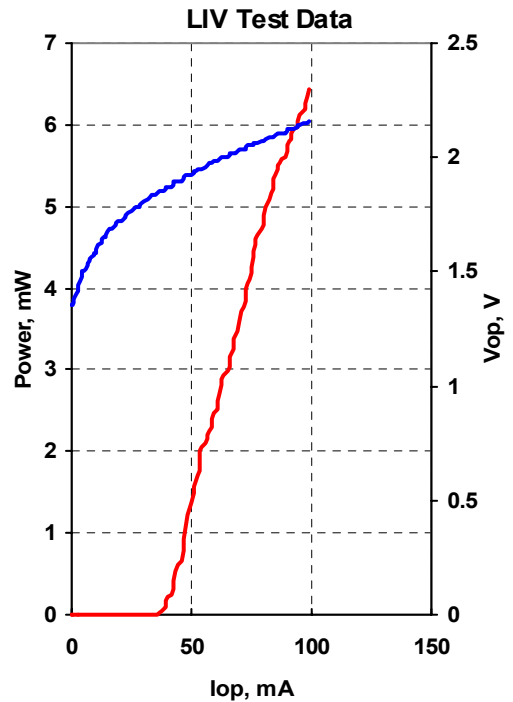


QPHOTONICS, LLC

1435 Crossways Blvd Phone: 757-213-0560
 Ste: 101 FAX: 757-213-0563
 Chesapeake, VA 23320 E-mail: info@qphotonics.com
 USA http://www.qphotonics.com

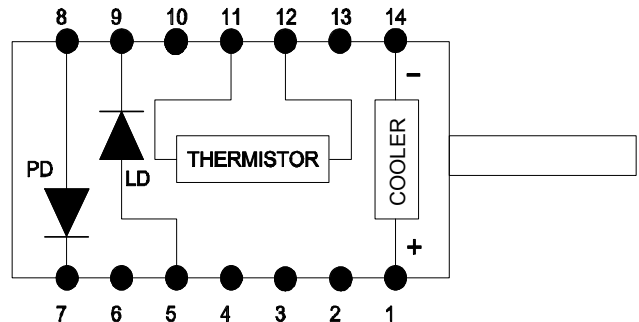
MODEL	QFBGLD-980-5
PART NUMBER	05.03.09

Parameter	Value	Units
Internal Temperature	25	°C
Thermistor Resistance	10.0	kΩ
Optical Output Power	5	mW
Threshold Current	52	mA
Operating Current	80	mA
Operating Voltage	2.08	V
Monitor Current	1.79	mA
Monitor Dark Current	0	nA
Center Wavelength	977	nm
Spectral Width	0.02	nm



Fiber Type	HI1060
NA	0.14
Connector	FC/APC

Pin	Connection
1	TE Cooler (+)
5	LD Anode (+)
7	PD Cathode (+)
8	PD Anode (-)
9	LD Cathode (-)
11	Thermistor
12	Thermistor
14	TE Cooler (-)



Operator	AK
Date	3/3/2005